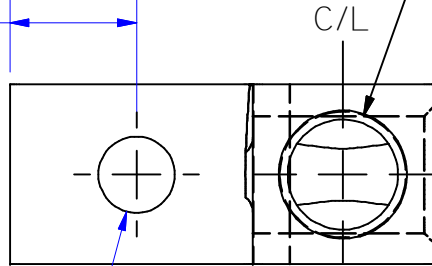


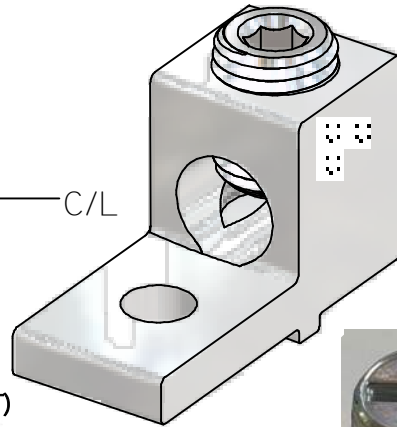
Shipped with regular slotted screw or TUFF SLOT™ closed slot which guides driver bit for rapid assembly (subject to availability).

TUFF SLOT™ is a trademark of IHI Connectors®

■ .44 REF.



7/16-20 UNF - 2B x .562 DEEP (REF.)



■  $\varnothing .265^{+0.010}_{-0.005}$

ALSO MAY BE SHIPPED WITH # 14225CF SCREW (CLOSED SLOT)

RECOMMENDED FLAT SLOTTED DRIVER BITS  
 0-75 IN-LBS CHAPMAN CM-96 8.3MM X 1.0MM BITS  
 0-100 IN-LBS WIHA/WERA 8.0MM X 1.2MM BITS  
 0-120 IN-LBS WIHA/WERA 8.0MM X 1.6MM BITS

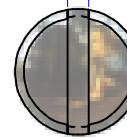


# 14225CF SCREW



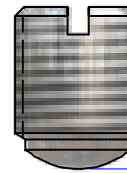
SCREW #14225 (ALUMINUM TIN PLATED) S2/0-TP-27-44

.072

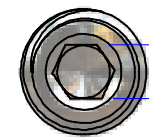


5 mm ACROSS FLATS

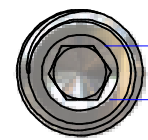
SCREW #11703-M (ALUMINUM TIN PLATED) S2/0-TP-27-44-HEX-M



9/16



3/16"



5/8"

SCREW# 11703 (ALUMINUM TIN PLATED) S2/0-TP-27-44

7/16-20 UNF-2B HEX SOCKET ASSEMBLE SCREW SNUG TO BOTTOM 5-15in.-lbs.

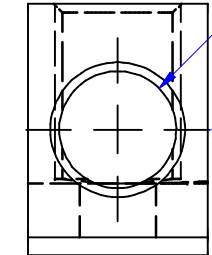
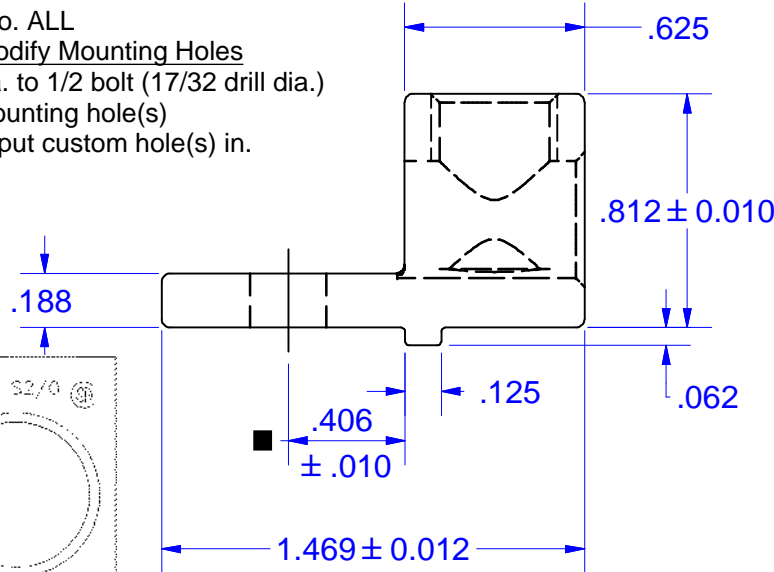
IHI UL/CSA Installation Guide to Drill or Enlarge Mounting Holes:

<https://lugsdirect.com/PDF%20Documents/IHI-MTG-HOLE-FIELD-MODS-UL&CSA-CERTIFICATIONS.pdf>

Cat. No. S2/0 Style No. ALL

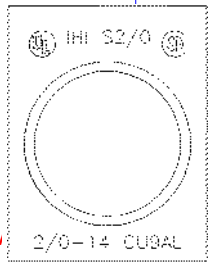
■ Drill, Enlarge, or Modify Mounting Holes

- 1) Increase hole(s) dia. to 1/2 bolt (17/32 drill dia.)
- 2) Move location of mounting hole(s)
- 3) If buying blank lug, put custom hole(s) in.



MARKING

S2/0  
 IHI  
 2/0-14  
 CU9AL  
 UL Logo  
 CSA Logo



2/0-14 WIRE CONNECTOR REF. 2700-1052

FLEX WIRE 1/0-14 AWG

NOT FOR USE WHERE FAILURE CREATES A HAZARD TO HUMAN HEALTH OR SAFETY. ALL PRODUCTS ARE SUBJECT TO THIS FULL DISCLAIMER: <http://www.ihiconnectors.com/disclaimer.html>

FOR FURTHER INFORMATION ON THE PROPER USE OF THIS PRODUCT IN SPECIFIC APPLICATIONS SEE <http://www.ihiconnectors.com/GuideToFlexFlexibleFineStrandedWireCableMechanicalLugsFAQ.html> <http://www.ihiconnectors.com/Technical-Data-Installation.htm>

<small>THIS DRAWING AND DESIGN ARE THE PROPERTY OF INTERNATIONAL HYDRAULICS, INC., CLEVELAND, OHIO, AND MAY NOT BE DUPLICATED, USED FOR THE BASIS OF DESIGN OR MANUFACTURE WITHOUT THE WRITTEN PERMISSION OF INTERNATIONAL HYDRAULICS, INC., CLEVELAND, OHIO.</small>		<b>INTERNATIONAL HYDRAULICS, INC.</b>	
<b>GENERAL TOLERANCES</b> ±.015 (±0.038)		<b>TITLE:</b> S2/0-TP-.27-.44-HEX (SALES) <b>CONNECTOR</b>	
<b>MATERIAL:</b> 6061-T6 (X1075TP)	<b>SIZE:</b>	<b>DRAWN BY:</b> TDS	<b>DWG NO.:</b> S2/0-TP-.27-.44-HEX (SALES)
<b>FINISH:</b> TIN PLATE EMS	<b>DATE:</b> 4/27/11	<b>REV:</b> 1	THIS IS A CAD DRAWING, DO NOT MANUALLY REVISE

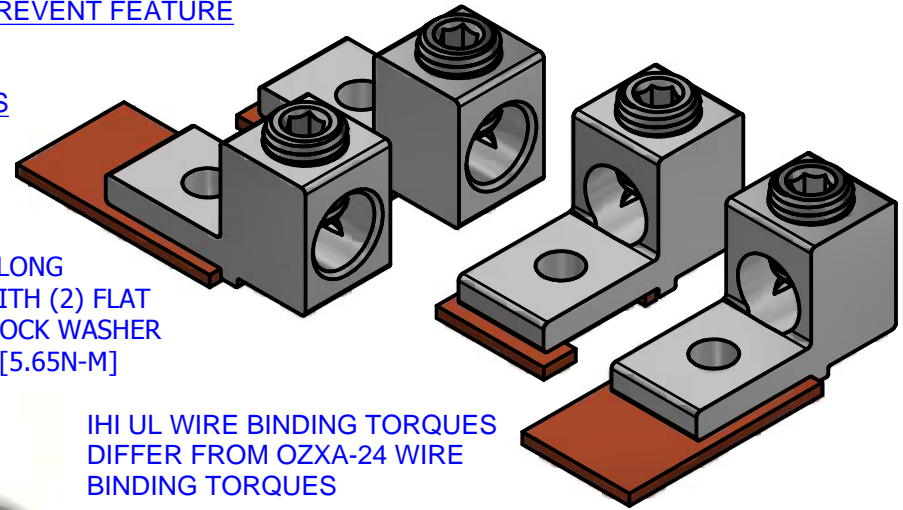
**IHI S2-0-TP-27-44-HEX AFTERMARKET LUG FITS ABB\* 100A SWITCHES COMPARES WITH OZXA-24 LUG  
2/0-14 CLASS B & C WIRE WITH ADDITIONAL FLEX WIRE RATINGS 1/0-14 TURN PREVENT FEATURE  
SIMILAR FIT TO OEM LUG**

**UL486A-B ZMVV CSA C22.2 NO. 65 CERTIFIED**

**S2/0-TP-27-44-HEX NOT UL98 OR UL508 RATED OR TESTED WITH ABB SWITCHES**

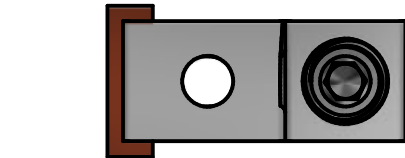
\*ABB IS REGISTERED TRADEMARK OF ABB. IHI® CONNECTORS® IS NOT AFFILIATED WITH ABB.

**S2-0-TP-27-44-HEX BOLTING  
INSTRUCTIONS  
PURCHASE SEPARATELY  
1 PER LUG : 1/4-20 x 3/4" OR 1" LONG  
GRADE 5 HEX CAP HEAD BOLT WITH (2) FLAT  
WASHERS, 1 NUT, AND 1 SPLIT LOCK WASHER  
TIGHTEN TO 50 IN-LBS TORQUE [5.65N-M]**

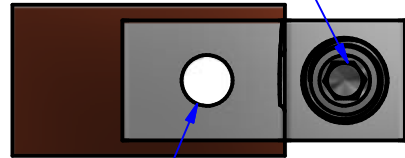


**IHI UL WIRE BINDING TORQUES  
DIFFER FROM OZXA-24 WIRE  
BINDING TORQUES**

**UL CSA RATED WIRE SIZES, CLASSES AND BINDING SCREW TORQUE**



3/16" HEX SKT.

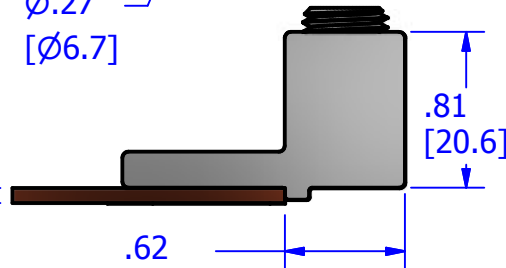


Ø.27  
[Ø6.7]

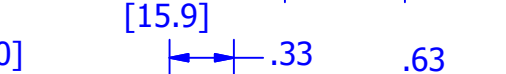


**IHI LUG PART NO.  
S2-0-TP-27-44-HEX FITS  
\*ABB 100 AMP SWITCHES /  
DISCONNECTS  
\*ABB 100GJ SERIES  
\*ABB OS100GJS SERIES  
\*ABB OS100J SERIES  
\*ABB OESA-F100 SERIES  
COMPARE TO OZXA-24 LUG KIT  
USE BARRIERS WHERE  
APPROPRIATE TO MAINTAIN  
POLE SEPARATION**

.079  
[2.00]



.62  
[15.9]



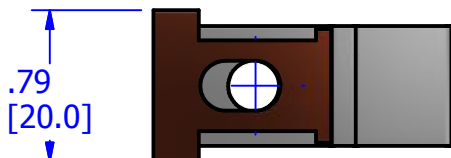
.79  
[20.0]



.33  
[8.5]



**LONG STYLE 100A BUS TAB ROUND MOUNTING HOLE**



.79  
[20.0]

**SHORT STYLE 100A BUS TAB, OVAL HOLE AND CUT OUTS**



**Pressure Terminal  
Connectors  
NRTL Cat. No.  
S2/0**

2/0-14 AL9CU

90°

Wire Size Copper (solid to semi-rigid stranded and metric mm², ##)	All Torque in in-lbs. For N-M divide by 8.85		
	Wire Size FLEX Copper (#)	Wire Size aluminum	Torque (all drive means)
N/A	1/0-1	N/A	75
N/A	1-4	N/A	55
2/0-3	4-8	2/0-3	50
4-6	8-10	4-6	45
8	10-14	8	40
10-14	N/A	10-12	35

(#) FLEX - covers stranding classes within G, H, I/DLO,  
Metric class5 and K/MTW.(##) mm2 sizes within  
AWG/kcmil ranges are included.

<http://www.lugsdirect.com/GuideToFlexFlexibleFineStrandedWireCableMechanicalLugsFAQ.html>

COPYRIGHT (per latest revision date) of International Hydraulics, Inc. (IHI®). ALL RIGHTS RESERVED. This complete drawing, schematic, and design are proprietary and confidential property of International Hydraulics, Inc. IHI Connectors® in Cleveland, Ohio, and may not be duplicated, used for the basis of design or manufacture without prior written permission of its owner. Contents contain a combination of registered trademark, copyright, or patent protections exclusively owned by IHI® which are not to be infringed upon.  
NOT FOR USE WHERE FAILURE CREATES A HAZARD TO HUMAN HEALTH OR SAFETY. All products are subject to this full disclaimer: <http://connectors.com/disclosure.html>

**IHI CONNECTORS INTERNATIONAL  
HYDRAULICS, INC.**

**TITLE: IHI LUG FOR ABB 100AMP  
SWITCHES & DISCONNECTS  
IHI S2-0-TP-27-44-HEX**

**GENERAL TOLERANCES  
±.015 (±0,39)**

**MATERIAL:  
6061-T6**

**SIZE:  
A**

**DRAWN BY:  
cridley**

**REV:  
1**

**FINISH:  
TIN PLATED**

**DATE:  
1-4-2021  
REV 1. 12-12-2023**

**DWG NO.:**  
ABB OS100-IHI LUG  
S2-0-TP-27-44-HEX